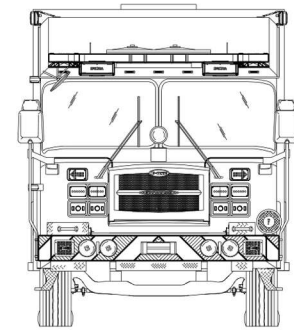
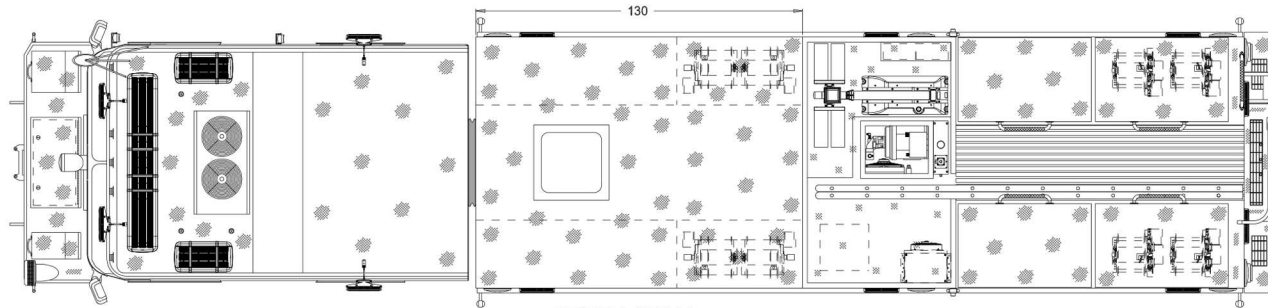


OFFICER SIDE VIEW

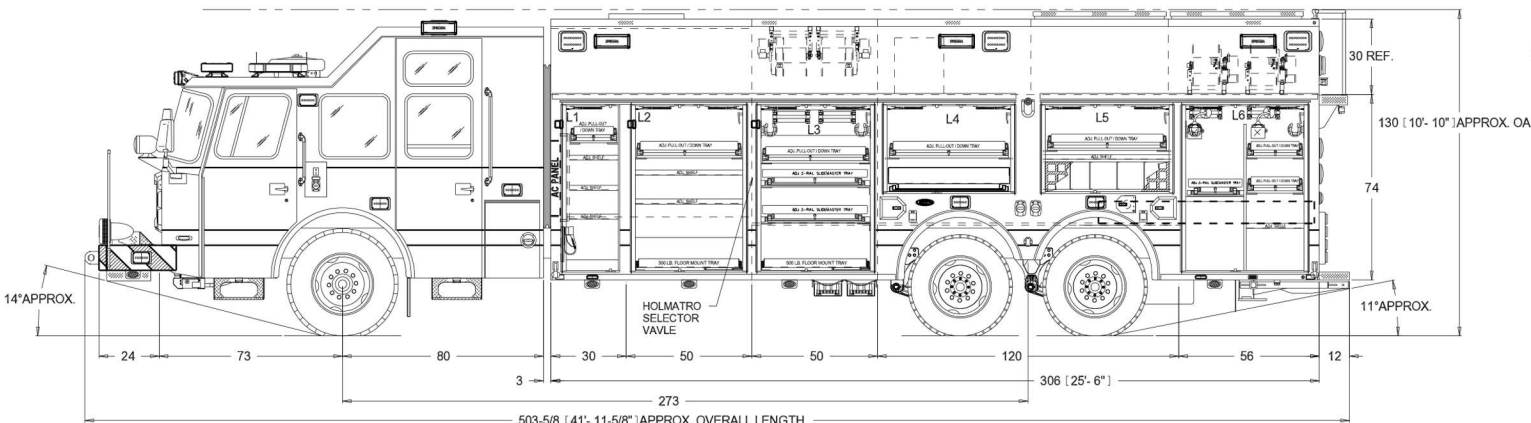


FRONT VIEW

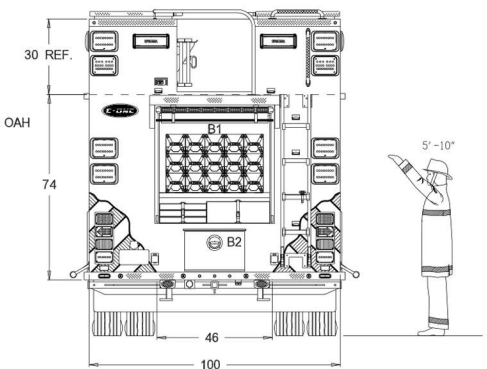


TOP VIEW

COMPARTMENT DIMENSIONS		
COMPT.	CLEAR DOOR OPENING (W x H):	COMPARTMENT INTERIOR (W x H x LD/UD):
L1	20-1/2"W x 64"H	26"W x 70"H x 27"D
L2	42-3/4"W x 64"H	50"W x 70"H x 27"D
L3	43-1/2"W x 64"H	50"W x 70"H x 27"D
L4	49"W x 32-3/4"H	57"W x 38-3/4"H x TRANSVERSE
L5	49"W x 32-3/4"H	57"W x 38-3/4"H x TRANSVERSE
L6	47"W x 64"H	52"W x 70"H x 27"D REARWARD/TRANSVERSE FORWARD
R1	20-1/2"W x 64"H	26"W x 70"H x 27"D
R2	42-3/4"W x 64"H	50"W x 70"H x 27"D
R3	43-1/2"W x 64"H	50"W x 70"H x 27"D
R4	49"W x 32-3/4"H	57"W x 38-3/4"H x TRANSVERSE
R5	49"W x 32-3/4"H	57"W x 38-3/4"H x TRANSVERSE
R6	47"W x 64"H	52"W x 70"H x 27"D REARWARD/TRANSVERSE FORWARD
B1	44"W x 39"H	46"W x 51-1/2"H x 56"D LOWER/26"D UPPER
B2	24"W x 15-1/4"H	24"W x 15-1/4"H x 27"D



DRIVERS SIDE VIEW



REAR VIEW



EAST SYRACUSE FIRE DEPT.

SO. NO. 141430 (RSHW-CYC2)

CYCLONE II LONG EXTENDED 20" VISTA

WALK-IN RESCUE

FILE NAME: 141430 EAST SYRACUSE FIRE DEPT. SHEET 1 OF 2